

# Time-Limited Dispatch

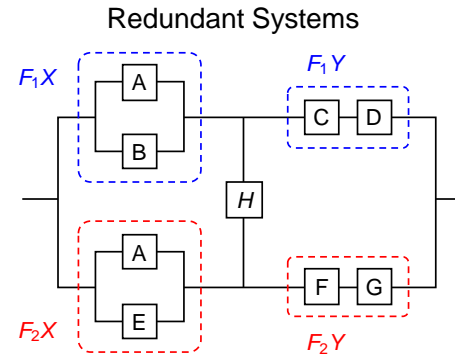
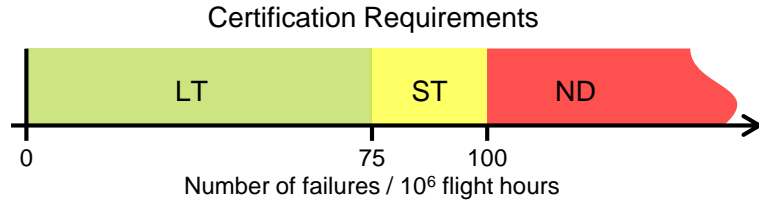
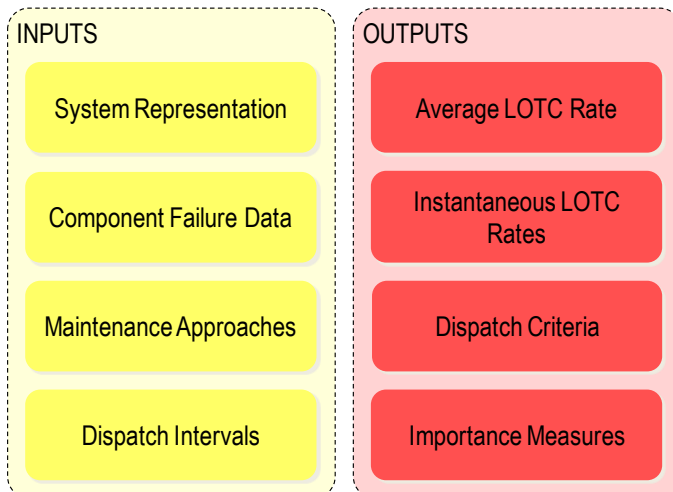


## Background

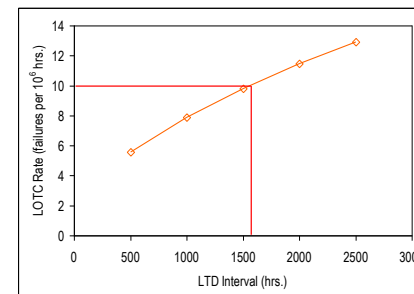
Time-Limited Dispatch (TLD) allows aircraft dispatch in the presence of known faults. It must be proved that certification requirements are met.

## Objective

- (i) Show that LOTC rates meet with certification requirements.
- (ii) Specify dispatch criteria for a system.



Average and instantaneous LOTC rates



H	LTD
$F_1X$	LTD
$F_1Y$	LTD
$F_2X$	LTD
$F_2Y$	LTD

$H.F_1X$	STD
$H.F_1Y$	STD
$H.F_2X$	LTD
$H.F_2Y$	LTD
$F_1X.F_2X$	STD
$F_1X.F_2Y$	DND
$F_1Y.F_2X$	DND
$F_1Y.F_2Y$	STD